



FICHA TÉCNICA **N-268G** 50 kN



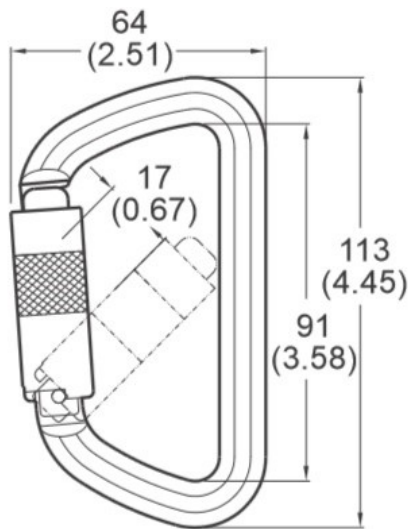
N-268G

Steel Carabiner 3600 LBS gate strength

Alloy steel, heat treated

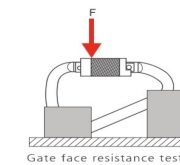
Gate Feature

| Art. No. | 3600 Lbs Gate Strength | Screw gate | Twist Locking | Triple Locking |
|-------------|------------------------|------------|---------------|----------------|
| N-268-0 | | ✓ | | |
| N-268 | | | ✓ | |
| N-268G | ✓ | | ✓ | |
| N-268G-TR | ✓ | | | ✓ |
| N-268G-CP | ✓ | | ✓ | |
| N-268G-TRCP | ✓ | | | ✓ |

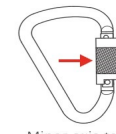


yellow zinc

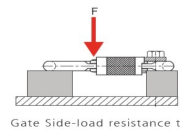
Net weight : 9.9 oz. / 280 g.



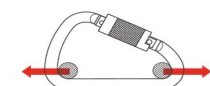
Gate face resistance test



Minor axis test



Gate Side-load resistance test



Major axis static strength test

YOKE carabiners are tested by :

100% proof loaded to 3600 lbs / 16 kN
Min. Breaking load : 5000 lbs / 23 kN
Meets ANSI Z359.12-09 CSA Z259.12-11 EN 362:2004

mm (inch)

Soporte Técnico : linktech@lt.com.co



COMERCIALIZADORA 3G